

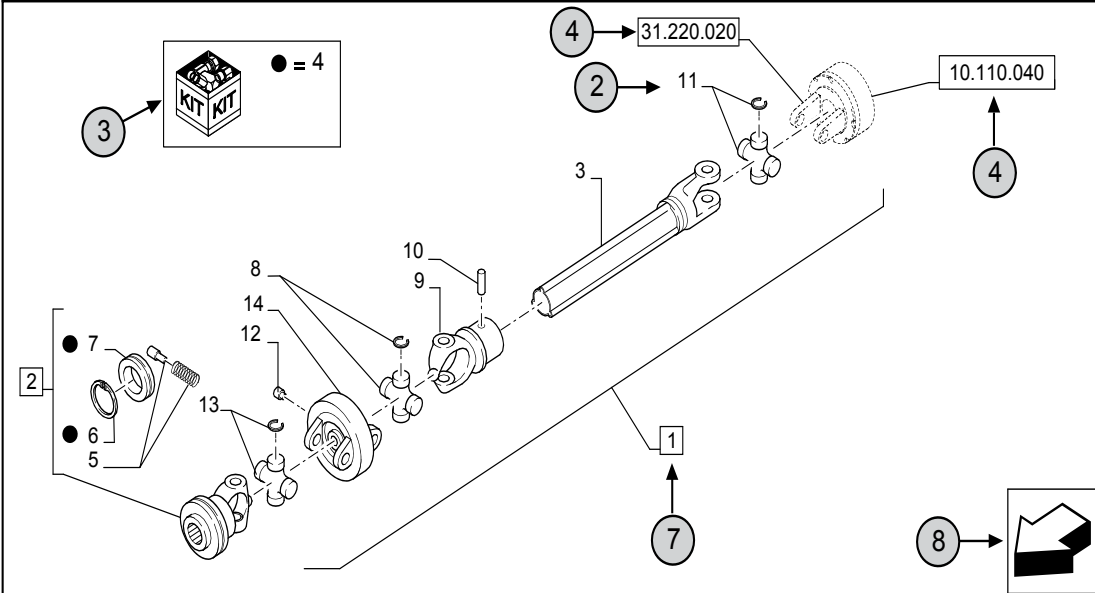
All rights reserved by **CNH Industrial**.

The information contained in this catalogue is intended to be of a general nature only. **CNH Industrial** may at any time and from time to time, for technical or other necessary reasons, modify any of the details or specifications of the product described in this catalogue.

To be sure of getting accurate, detailed and up-to-date information, an intending buyer should consult his nearest **CNH Industrial** dealer or distributor.

Single item numeration method used in this catalogue may not be used without written consent from **CNH Industrial**

VAR - 123782, 789101,987654 - PTO - D650



STANDARD ← 6

VAR - 123782, 789101,987654 - PTO - D650

REF	FN	PART NUMBER	YR/SN	QTY	DESCRIPTION
1	1	86529340	20	1	SHAFT PTO, Incl 2 - 11
2	15	84014007		1	YOKE, Incl 4 - 7 ← 7
3	16	NSS		1	NOT SERVICED SEPARATELY, SHAFT, 350mm, Incl in 1
4		84004292		1	KIT, Seal Kit, Incl 6, 7 ← 17
4		{84058743}		1	KIT, Seal Kit, Incl 6, 7
2	18			21	
	19			22	
		1 = FOR ITALY ONLY ← 5			

MODELS ← 1


- 1 Model Number and Model Description
- 2 Reference - Figure call-out of the part number.
- 3 Parts supplied in repair kits per symbol reference.
- 4 31.220.020 Part illustrated on the **Page** or in the **Figure** indicated, or calls for **Variations** or **Details**. Indicates components shown in detail elsewhere in the catalogue under the figure number shown.
- 5 Footnote references
- 6 Figure notes
- 7 1 2 Includes item(s) (See Description within partlist).
- 8 Orientation. (Arrow indicates front of the machine). 
- 9 Figure description.
- 10 General information of the figure.
- 11 Figure title number that aligns with the SRT. Standard Repair Time.
- 12 **Sequence** code within the assembly.
- 13 Page number within the sequence code.
- 14 **Date** of printing or updating of page (month-year).
- 15 **Note** - Relating to the Part Number. There is a key to symbols and abbreviations at the bottom of the text page.
- 16 Non-serviced parts.
- 17 Further description of the part to help confirm identification.
- 18 Not available as service part.
- 19 Part Number.
- 20 To be defined.
- 21 Total **Quantity** of the Part referred to in the page.
The quantity can be replaced by the following indications:
AR = quantity as requested.
- 22 Part **Description**.
- 23 Variant Codes

TABLE OF CONTENTS

00.000.00		PICTORIAL INDEX - MAIN SECTIONS
00.000.05		PICTORIAL INDEX - SERVICE & MAINTANENCE
00.000.10	01	PICTORIAL INDEX - ENGINE
00.000.10	02	PICTORIAL INDEX - ENGINE
00.000.14		PICTORIAL INDEX - MAIN GEARBOX AND DRIVE
00.000.18		PICTORIAL INDEX - CLUTCH
00.000.21	01	PICTORIAL INDEX - TRANSMISSION
00.000.21	02	PICTORIAL INDEX - TRANSMISSION
00.000.23		PICTORIAL INDEX - FOUR-WHEEL DRIVE (4WD) SYSTEM
00.000.25		PICTORIAL INDEX - FRONT AXLE SYSTEM
00.000.27		PICTORIAL INDEX - REAR AXLE SYSTEM
00.000.31		PICTORIAL INDEX - POWER TAKE OFF (PTO)
00.000.33		PICTORIAL INDEX - BRAKES & CONTROLS
00.000.35	01	PICTORIAL INDEX - HYDRAULIC SYSTEMS
00.000.35	02	PICTORIAL INDEX - HYDRAULIC SYSTEMS
00.000.35	03	PICTORIAL INDEX - HYDRAULIC SYSTEMS
00.000.35	04	PICTORIAL INDEX - HYDRAULIC SYSTEMS
00.000.37		PICTORIAL INDEX - HITCHES, DRAWBARS AND IMPLEMENT COUPLINGS
00.000.39		PICTORIAL INDEX - FRAMES AND BALLASTING
00.000.41		PICTORIAL INDEX - STEERING
00.000.44	01	PICTORIAL INDEX - WHEEL
00.000.44	02	PICTORIAL INDEX - WHEEL
00.000.50		PICTORIAL INDEX - CAB CLIMATE CONTROL
00.000.55	01	PICTORIAL INDEX - ELECTRICAL SYSTEMS
00.000.55	02	PICTORIAL INDEX - ELECTRICAL SYSTEMS
00.000.55	03	PICTORIAL INDEX - ELECTRICAL SYSTEMS
00.000.55	04	PICTORIAL INDEX - ELECTRICAL SYSTEMS
00.000.82		PICTORIAL INDEX - FRONT LOADER AND BUCKET
00.000.88		PICTORIAL INDEX - ACCESSORIES
00.000.90	01	PICTORIAL INDEX - PLATFORM, CAB, BODYWORK AND DECALS
00.000.90	02	PICTORIAL INDEX - PLATFORM, CAB, BODYWORK AND DECALS
00.000.90	03	PICTORIAL INDEX - PLATFORM, CAB, BODYWORK AND DECALS
00.000.90	04	PICTORIAL INDEX - PLATFORM, CAB, BODYWORK AND DECALS
00.100.01		IDENTIFICATION PLATE AND VERSION LIST
00.100.04	01	OPTIONAL EQUIPMENT
00.100.04	02	OPTIONAL EQUIPMENT

TABLE OF CONTENTS

00.100.04	03	OPTIONAL EQUIPMENT
00.100.04	04	OPTIONAL EQUIPMENT
00.500.01		DIA KITS
05.000.00		SECTION INDEX - MAINTANENCE
05.100.01		INITIAL STOCKING LIST (LIST A)
05.100.02		INITIAL STOCKING LIST (LIST B)
05.100.04	01	MAINTENANCE PARTS - FILTERS
05.100.04	02	MAINTENANCE PARTS - STARTER MOTOR, ALTERNATOR, BELTS
05.100.04	03	MAINTENANCE PARTS - FUSES
05.100.04	04	MAINTENANCE PARTS - BULBS
05.100.04	05	MAINTENANCE PARTS - PUMPS
05.102.AA		VAR - 334143, 334144, 334145, 335683, 335684, 390880 - FIRE EXTINGUISHER, HAMMER
10.000.00	01	SECTION INDEX - ENGINE
10.000.00	02	SECTION INDEX - ENGINE
10.001.AD		VAR - 332229, 390174 - ENGINE, ASSY
10.103.AH		VAR - 332229, 390174 - FLYWHEEL
10.202.AB	01	VAR - 390200, 330200 - AIR CLEANER
10.202.AB	02	VAR - 390335 - AIR DUCTS & HOSES, AIR CLEANER
10.202.AB	03	VAR - 330335, 331335, 332739 - AIR DUCTS & HOSES, AIR CLEANER - ISO
10.202.AB	04	VAR - 390335 - BRACKET TO FIX PIPE BLOW-BY
10.202.AB	05	VAR - 330335, 331335, 332739 - AIR DUCTS & HOSES, AIR CLEANER - ISO
10.206.AG		VAR - 390142, 330142 - FUEL FILTER
10.216.AI	01	VAR - 330142, 390142 - FUEL TANK
10.216.AI	02	VAR - 390142 - FUEL TANK, SUPPORT
10.216.AI	03	VAR - 330142 - FUEL TANK, SUPPORT, PROTECTION
10.216.BA		VAR - 330142, 390142 - FUEL LINE
10.254.AD	01	VAR - 334144, 334145 - EXHAUST SYSTEM PIPE
10.254.AD	02	VAR - 332229, 390174 - MUFFLER, SUPPORT
10.254.AD	03	VAR - 335683, 335684, 390880 - EXHAUST SYSTEM PIPE
10.254.AI	01	VAR - 332229, 390174 - MUFFLER
10.254.AI	02	VAR - 332229, 390174 - MUFFLER, HEAT SHIELD
10.310.AA		VAR - 332229, 390174 - INTERCOOLER
10.310.AB		VAR - 332229, 390174 - INTERCOOLER, PIPE, LINE
10.400.AY		VAR - 330200, 390200 - RADIATOR & HOSE
10.400.BE		VAR - 330200, 390200 - RADIATOR
10.400.BF	01	VAR - 330200 - RADIATOR FAN SHROUD

TABLE OF CONTENTS

10.400.BF	02	VAR - 330200 - RADIATOR FAN SHROUD
10.400.BH		VAR - 330200, 390200 - WATER TANK
10.414.AC		VAR - 332229, 390174 - FAN
14.000.00		SECTION INDEX - MAIN GEARBOX AND DRIVE
14.100.AR	01	VAR - 330801, 331729, 390433, 391727 - SPACER, CENTRAL REDUCTION GEAR
14.100.AR	02	VAR - 330801, 331729, 390433, 391727 - PIPE, CENTRAL REDUCTION GEAR
18.000.00		SECTION INDEX - CLUTCH
18.100.AF		VAR - 334143, 334144, 334145, 335683, 335684, 390880 - CLUTCH, PEDAL
18.104.AM		VAR - 390430 - PTO CLUTCH
18.112.AA		VAR - 332229, 390174 - PTO, DUMPER
21.000.00	01	SECTION INDEX - TRANSMISSION
21.000.00	02	SECTION INDEX - TRANSMISSION
21.109.AD		VAR - 332229, 390174, 337986 - OIL COOLER LINE
21.109.AK		VAR - 332229, 390174 - OIL COOLER
21.112.AC	01	VAR - 390430, 334114, 334115, 334117 - TRANSMISSION HOUSING (16X16)
21.112.AC	02	VAR - 333490, 390124 - PLUG LESS
21.112.AC	03	VAR - 390430, 334114, 334115, 334117 - TRANSMISSION HOUSING, COVERS (16X16)
21.112.AC	04	VAR - 390789 - TRANSMISSION HOUSING,W/O PLUG, FRONT PTO W/O
21.112.AD	01	VAR - 390430, 334114, 334115, 334117 - TRANSMISSION HOUSING, SPACER
21.112.AD	02	VAR - 390489, 744711 - LESS LOADER READY
21.120.AB	01	VAR - 334114, 334115, 334117, 390430 - GEARBOX HOUSING
21.120.AB	02	VAR - 390832, 743597, 744728 - PAN, PIPE, HYDRAULIC LIFT
21.120.AB	03	VAR - 390832, 744728, 743597 - PAN, PIPE, HYDRAULIC LIFT
21.120.AB	04	VAR - 744728 - PLUG, GEARBOX HOUSING
21.120.AI		VAR - 390489, 744711 - SIDE FINAL DRIVES HOUSING - LESS LOADER
21.134.AI	01	VAR - 393286 - GEARSHIFT, CONTROL
21.134.AI	02	VAR - 331286 - GEARSHIFT, CONTROL
21.134.AI	03	VAR - 334114, 334115, 334117, 390430 - SHUTTLE CONTROL
21.134.AI	04	VAR - 331286 - GEARSHIFT, CONTROL
21.134.AI	05	VAR - 331286 - GEARSHIFT, CONTROL
21.148.AA	01	VAR - 390430, 334114, 334115, 334117 - TRANSMISSION, SYNCHRONIZER (16X16)
21.148.AA	02	VAR - 390430, 334114, 334115, 334117 - TRANSMISSION, GEAR (16X16)
21.152.AA	01	VAR - 334114, 390430 - REVERSE CASING
21.152.AA	02	VAR - 334115, 334117 - REVERSE CASING
21.154.AA	01	VAR - 334114, 334115, 334117, 390430 - ENGAGEMENT TRANSMISSION
21.154.AA	02	VAR - 334114, 334115, 334117, 390430 - DRIVE TRAIN OF GEAR HI-LO

TABLE OF CONTENTS

21.154.AA	03	VAR - 334114, 334115, 334117, 390430 - TRANSM.GEARSHIFT MECHANISM
21.154.AA	04	VAR - 334114, 334115, 334117, 390430 - CENTRAL REDUCTION GEARS
21.154.AA	05	VAR - 334114, 334115, 334117, 390430 - CENTRAL REDUCTION GEARS - BEVEL SET
21.154.AA	06	VAR - 334115, 390430 - CENTRAL REDUCTION GEAR
21.154.AA	07	VAR - 334115, 390430 - CENTRAL REDUCTION GEAR
21.154.AA	08	VAR - 334114, 334115, 334117, 390430 - CENTRAL REDUCTION GEAR, CONTROLS
21.154.AA	09	VAR - 334114, 334117 - REDUCTION UNIT CONTROL - HYDR. CREEPER
21.154.AA	10	VAR - 334114, 334115, 334117, 390430 - HYDRAULIC PUMPS - COVERS LESS PUMPS
21.168.AI		VAR - 390430, 334114, 334115, 334117 - HI-LO GEARS, SHAFTS, AND BEARINGS (16X16)
23.000.00		SECTION INDEX - FOUR-WHEEL DRIVE (4WD) SYSTEM
23.201.AA		VAR - 390399, 330308, 330415 - HOUSING RELAY GEARING
23.202.AD		VAR - 330448, 390448 - TRANSMISSION SHAFT TO FRONT AXLE - WATERPROOF
23.202.AI		VAR - 390399, 330308, 330415 - GEAR, CLUTCH - FWD
23.314.AG	01	VAR - 390448 - PROTECTION TRANSM. SHAFT - LESS WATERPROOF
23.314.AG	02	VAR - 330448 - PROTECTION TRANSM. SHAFT - WATERPROOF - ISO
25.000.00		SECTION INDEX - FRONT AXLE SYSTEM
25.100.AD		VAR - 390399, 330308, 330415 - AXLE HOUSING, 4WD FRONT AXLE
25.100.AV	01	VAR - 390243, 331722 - FRONT AXLE SUPPORT
25.100.AV	02	VAR - 331725, 331726 - FRONT AXLE SUPPORT, MULTIPURPOSE
25.100.AV	03	VAR - 390489, 744711, 744712, 744713 - PLUG, FRONT
25.102.AC	01	VAR - 390399 - SUPPORT, DIFFERENTIAL CARRIER, 4WD FRONT AXLE
25.102.AC	02	VAR - 390399, 330308, 330415 - BEVEL GEAR, DIFFERENTIAL, 4WD FRONT AXLE
25.102.AC	03	VAR - 330308, 330415 - SUPPORT, DIFFERENTIAL CARRIER, 4WD FRONT AXLE
25.102.AD		VAR - 330308, 330415 - DIFFERENTIAL GEAR, 4WD FRONT AXLE
25.102.AE		VAR - 390399 - 4WD FRONT AXLE - DIFFERENTIAL - W/ LIMITED SLIP DIFFERENTIAL
25.102.AS		VAR - 330308, 330415 - HOUSING, DIFFERENTIAL LOCK, 4WD FRONT AXLE
25.108.AA	01	VAR - 390399 - HALF SHAFT, 4WD FRONT AXLE
25.108.AA	02	VAR - 390399 - 4WD FRONT AXLE - HALF SHAFT - COMPONENTS - W/ LIMITED SLIP DIFFERENTIAL
25.108.AA	03	VAR - 330308 - 4WD FRONT AXLE - HALF SHAFT - W/ HYDRAULIC DIFFERENTIAL LOCK
25.108.AA	04	VAR - 330308 - HALF SHAFT, COMPONENTS, 4WD FRONT AXLE
25.108.AA	05	VAR - 330415 - HALF SHAFT, 4WD FRONT AXLE
25.108.AA	06	VAR - 330415 - HALF SHAFT, COMPONENTS, 4WD FRONT AXLE
25.108.AB		VAR - 390399, 330308, 330415 - IDLER PINION, SUPPORT, 4WD FRONT AXLE
25.108.AN	01	VAR - 390399, 330308 - STUB AXLE/STRG. SPINDLE, HUB, 4WD FRONT AXLE
25.108.AN	02	VAR - 330415 - STUB AXLE/STRG. SPINDLE, HUB, 4WD FRONT AXLE
27.000.00		SECTION INDEX - REAR AXLE SYSTEM

TABLE OF CONTENTS

27.106.AB		VAR - 390399, 330308, 330415 - PLANETARY GEAR, HOUSING
27.106.AF	01	VAR - 390448 - SIDEFINAL DRIVES GEAR
27.106.AF	02	VAR - 330448 - SIDEFINAL DRIVES GEARING - ISO
27.106.AO		VAR - 330308, 330415 - DIFFERENTIAL LOCK, DIFFERENTIAL LOCK, FRONT, HYDR LINES
27.106.AR	01	VAR - 390399, 330308, 330415 - DIFFERENTIAL GEAR, SUPPORT
27.106.AR	02	VAR - 390399, 330308, 330415 - DIFFERENTIAL GEAR, COMPONENTS
27.120.AI	01	VAR - 334143, 335683, 335684, 390880 - SIDE FINAL DRIVE HOUSING
27.120.AI	02	VAR - 334144, 334145 - SIDE FINAL DRIVE HOUSING
27.120.AI	03	VAR - 390319 - SIDE FINAL DRIVES HOUSING
27.120.AI	04	VAR - 390907 - LESS EXTERNAL RAM
27.120.AI	05	VAR - 330864 - SUPPORT, FINAL DRIVE HOUSING
31.000.00		SECTION INDEX - POWER TAKE OFF (PTO)
31.104.AA	01	VAR - 391727 - PTO, ROD & FORKS, 2-SPEED - ISO
31.104.AA	02	VAR - 390433 - PTO, ROD & FORKS, 2-SPEED - NA
31.104.AA	03	VAR - 330801, 331819 - PTO, ROD & FORKS, 3 SPEED - ISO
31.104.AA	04	VAR - 331729 - PTO, ROD & FORKS, 3 SPEED - NA
31.104.AY	01	VAR - 391727 - PTO, CONTROLS - ISO
31.104.AY	02	VAR - 330801, 331819 - PTO, CONTROLS
31.104.AY	03	VAR - 331819 - PTO, CONTROLS - ISO
31.104.AZ	01	VAR - 331819 - PTO, CONTROLS GROUND SPEED - ISO
31.104.AZ	02	VAR - 331819 - PTO, CONTROLS GROUND SPEED - ISO
31.114.AB	01	VAR - 391727 - PTO, DRIVEN SHAFT, 2-SPEED - ISO
31.114.AB	02	VAR - 391727 - PTO, DRIVEN SHAFT, 2-SPEED - ISO
31.114.AB	03	VAR - 390433 - PTO, DRIVEN SHAFT, 2-SPEED - NA
31.114.AB	04	VAR - 390433 - PTO, DRIVEN SHAFT, 2-SPEED - NA
31.114.AF	01	VAR - 330801, 331729, 331819, 390433, 391727 - CLUTCH, SHAFT
31.114.AF	02	VAR - 390430, 334114, 334115, 334117 - CLUTCH, SHAFT
31.114.AH	01	VAR - 391727, 390433, 331729, 331819, 330801 - PTO, SHIELD
31.114.AH	02	VAR - 330893, 330897, 335674, 335675 - PTO, SHIELD - ISO
31.114.AH	03	VAR - 334763, 390891 - PTO, SHIELD
31.114.AH	03	VAR - 334814 - PTO, SHIELD
31.114.AH	04	VAR - 391727, 390433, 331729, 331819, 330801 - PTO, COVERS
31.114.AH	05	VAR - 331943, 331945, 335678 - PTO, SHIELD
31.114.AH	06	VAR - 390433 - PTO, COVERS - NA
31.114.AH	07	VAR - 330772, 330887, 332209, 332164 - PTO, SHIELD - ISO
31.114.AI		VAR - 391727, 391727, 331729, 331819, 330801, 390433 - PTO, CLUTCH PLATE

TABLE OF CONTENTS

31.114.AP		VAR - 331819 - PTO, SHAFT & GEAR - ISO
31.116.AB	01	VAR - 330801, 331819 - PTO, DRIVEN SHAFT, 3 SPEED - ISO
31.116.AB	02	VAR - 330801, 331819 - PTO, DRIVEN SHAFT, 3 SPEED - ISO
31.116.AB	03	VAR - 331729 - PTO, DRIVEN SHAFT, 3 SPEED - NA
31.116.AB	04	VAR - 331729, 331819 - PTO, DRIVEN SHAFT, 3 SPEED - NA
31.142.AF	01	VAR - 744710 - FRONT PTO ASSY, HYDRAULIC LINE
31.142.AF	02	VAR - 744710 - FRONT PTO ASSY, HYDR LINES
31.142.AF	03	VAR - 331789, 744710 - FRONT PTO ASSY, HYDR LINES
31.146.AA	01	VAR - 744710 - FRONT PTO, DRIVE SHAFT
31.146.AA	02	VAR - 744710 - FRONT PTO, CLUTCH - COMPONENTS
31.146.AR		VAR - 744710 - FRONT PTO, ENGINE GEARBOX
33.000.00		SECTION INDEX - BRAKES AND CONTROLS
33.110.AJ	01	VAR - 334143, 334144, 334145, 335683, 335684, 390880 - PARKING BRAKE, CABLE
33.110.AJ	02	VAR - 334143, 334144, 334145, 335683, 335684, 390880 - PARKING BRAKE, LEVER
33.110.AV	01	VAR - 331286 - PARKING BRAKE DISC
33.110.AV	02	VAR - 331286 - PARKING BRAKE SUPPORT
33.202.AK	01	VAR - 390166 - SIDE FINAL BREAK SYSTEM
33.202.AK	02	VAR - 333166 - TRANSMISSION BRAKE - EXTENDED LIFE DISCS
33.202.AN	01	VAR - 334143, 335683, 335684, 390880 - BRAKE RESERVOIR & LINES
33.202.AN	02	VAR - 334144, 334145 - BRAKE RESERVOIR & LINES
33.202.AP	01	VAR - 334143, 334144, 334145, 335683, 335684, 390880 - BRAKE, HYDR LINES
33.202.AP	02	VAR - 333166, 390166 - BRAKES CONTROL PIPES - ADAPTER
33.202.AR		VAR - 390319 - BRAKES, CONTROLS, PUMP, CYLINDER
33.202.BN		VAR - 334143, 334144, 334145, 335683, 335684, 390880 - BRAKE PACKAGE, PEDAL
33.204.AD		VAR - 330415 - BELL HOUSING, FRONT AXLE, 4WD
33.204.AG		VAR - 330415 - BRAKE LINE, FRONT AXLE, 4WD
33.204.AP	01	VAR - 330415 - BRAKE LINE
33.204.AP	02	VAR - 330415 - 4WD FRONT AXLE, BRAKE LINES
33.220.AC	01	VAR - 743516 - TRAILER HYDRAULIC BRAKES VALVE
33.220.AC	02	VAR - 743517 - TRAILER HYDRAULIC BRAKES VALVE - ISO
33.220.AC	03	VAR - 330720 - BRAKING SYSTEM
33.220.AC	04	VAR - 330720, 743516, 743517 - TRAILER BRAKE VALVE - ISO
33.220.AC	05	VAR - 330335, 331335, 332739 - PNEUMATIC TRAILER BRAKE, PULLEY, COMPRESSOR
33.220.AC	06	VAR - 330335, 331335, 332739 - BELT, PNEUMATIC TRAILER BRAKE - ISO
33.220.AC	08	VAR - 330335, 331335, 332739 - BELT, IDLER - ISO
33.220.AC	09	VAR - 330335, 332739 - TRAILER BRAKE VALVE - ISO

TABLE OF CONTENTS

33.220.AC	10	VAR - 330335, 332739 - AIR RESERVOIR, VALVE, PUMP - ISO
33.220.AC	11	VAR - 331335 - PNEUMATIC TRAILER BRAKE - ITALY - ISO
33.220.AC	12	VAR - 330335, 331335, 332739 - LUBRICATION LINE - ISO
33.220.AC	13	VAR - 330335, 331335, 332739 - A/C COMPRESSOR - ISO
33.220.AC	14	VAR - 330335, 332739 - PNEUMATIC TRAILER BRAKE - GERMANY AND UK - ISO
33.220.AC	15	VAR - 330335, 332739 - AIR RESERVOIR, VALVE, PUMP - ISO
33.220.AC	16	VAR - 330335, 331335, 332739 - LUBRICATION LINE - ISO
33.220.AC	17	VAR - 332739 - BRACKET FOR COUPLER REMOTES (UK) - ISO
33.220.AM	01	VAR - 330720, 390370 - LESSHYDRAULIC TRAILER BRAKE VALVE
33.220.AM	02	VAR - 335673 - TRAILER, BRAKE, CONTROL - ISO
35.000.00	01	SECTION INDEX - HYDRAULIC SYSTEMS
35.000.00	02	SECTION INDEX - HYDRAULIC SYSTEMS
35.000.00	03	SECTION INDEX - HYDRAULIC SYSTEMS
35.000.00	04	SECTION INDEX - HYDRAULIC SYSTEMS
35.100.AR	01	VAR - 390183 - REAR ELECTRONIC LIFT - DELIVERY PIPE
35.100.AR	02	VAR - 334120 - REAR ELECTRONIC LIFT - DELIVERY PIPE
35.100.AR	03	VAR - 330849, 331844, 332844 - REAR ELECTRONIC LIFT - DELIVERY PIPE
35.100.BI	01	VAR - 390124 - HYDRAULIC LIFT, PIPE - END YR 16-JUN-2014
35.100.BI	01A	VAR - 390124 - HYDRAULIC LIFT, PIPE - BEGIN YR 17-JUN-2014
35.100.BI	02	VAR - 390124 - HYDRAULIC LIFT, PIPE
35.104.AA	01	VAR - 390434 - HYDRAULIC PUMP - 25/16
35.104.AA	02	VAR - 334119 - HYDRAULIC PUMP (80 L/MIN)
35.104.AA	03	VAR - 334119 - HYDRAULIC PUMP (80 L/MIN) COMPONENTS - END YR 16-JUN-2014
35.104.AA	03A	VAR - 334119 - PUMP 80LT (32CC/16CC), COMPONENTS - BEGIN YR 17-JUN-2014
35.104.AA	04	VAR - 390434 - PUMP (25CC/16CC), COMPONENTS - BEGIN YR 17-JUN-2014
35.116.AD	01	VAR - 743597, 744728 - PIPE FOR TWO AUX RAMS
35.116.AD	02	VAR - 390832 - PIPE FOR TWO AUX RAMS
35.116.AD	03	VAR - 390832, 390832, 744728 - PIPE FOR LESS AUX RAMS
35.116.AD	04	VAR - 390832, 743597, 744728 - POTENTIOMETER SUPPORT BRACKET
35.116.AD	05	VAR - 390832, 743597, 744728 - POTENTIOMETER SUPPORT BRACKET
35.116.AD	06	VAR - 390832, 743597, 744728 - POTENTIOMETER LEVER
35.116.AD	07	VAR - 390832, 743597, 744728 - POTENTIOMETER LEVER
35.116.AH	01	VAR - 743597 - JACK, LIFT CYLINDER
35.116.AH	02	VAR - 743597 - SUPPORT, JACK, LIFT CYLINDER
35.162.AB	01	VAR - 331789, 332789, 744710 - FRONT LOADER - SUPPORT & CYLINDER
35.162.AB	02	VAR - 331789, 744710 - FRONT LOADER HYDRAULIC SYSTEM

TABLE OF CONTENTS

35.162.AB	03	VAR - 335679 - FRONT SUPPLEMENTARY SOCKET PRESSURE
35.162.AB	04	VAR - 331789, 744710 - FRONT LOADER HYDRAULIC SYSTEM
35.204.AB	02	VAR - 390832, 743597, 744728 - HYDRAULIC LIFT CASING COVERS
35.204.AY		VAR - 390434 - PRESSURE RELIEF VALVE
35.204.BB		VAR - 390183, 330849, 331844, 332844, 334120, 334121 - CONTROL VALVE, ATTACHMENT
35.204.BE	01	VAR - 390183 - REMOTE CONTROL VALVE, COMPONENTS
35.204.BE	02	VAR - 390183 - REMOTE CONTROL VALVE, COMPONENTS
35.204.BE	03	VAR - 334120 - REMOTE CONTROL VALVE, BLOCK, COMPONENTS (3 REMOTES)
35.204.BE	04	VAR - 334120 - REMOTE CONTROL VALVE, BLOCK, BLOCK, COMPONENTS (3 REMOTES)
35.204.BE	05	VAR - 390183 - REMOTE CONTROL VALVE, COMPONENTS (2 REMOTES)
35.204.BE	06	VAR - 390183 - REMOTE CONTROL VALVE, COMPONENTS (2 REMOTES)
35.204.BE	07	VAR - 330849, 331844, 332844 - QUICK COUPLER, COMPONENTS
35.204.BE	08	VAR - 330849, 331844, 332844 - QUICK COUPLER, COMPONENTS
35.204.BE	09	VAR - 330849, 331844 - REMOTE CONTROL VALVE, BLOCK, COMPONENTS
35.204.BE	10	VAR - 331844 - REMOTE CONTROL VALVE, BLOCK, COMPONENTS (3 REMOTES)
35.204.BE	11	VAR - 331844 - REMOTE CONTROL VALVE, BLOCK, COMPONENTS (3 REMOTES)
35.204.BE	12	VAR - 332844 - REMOTE CONTROL VALVE, BLOCK, COMPONENTS (3 REMOTES)
35.204.BE	13	VAR - 332844 - REMOTE CONTROL VALVE, BLOCK, COMPONENTS (3 REMOTES)
35.204.BE	14	VAR - 330849, 331844, 332844 - REMOTE CONTROL VALVE, COMPONENTS
35.204.BE	15	VAR - 330849, 334120 - CONTROL VALVE, DISTRIBUTOR (3 REMOTES)
35.204.BE	16	VAR - 330849, 334120 - REMOTE CONTROL VALVE, BLOCK, COMPONENTS (3 REMOTES)
35.204.BE	17	VAR - 330849, 331844, 332844 - REMOTE CONTROL VALVE, COMPONENTS
35.204.BE	18	VAR - 330849, 331844, 332844 - REMOTE CONTROL VALVE, COMPONENTS
35.204.BE	19	VAR - 331844, 332844 - REMOTE CONTROL VALVE, COMPONENTS (3 REMOTES)
35.204.BJ	01	VAR - 390832, 743597, 744728 - HYDRAULIC LIFT CASING COVERS
35.204.BJ	02	VAR - 390832, 743597, 744728 - HYDRAULIC LIFT CASING COVERS
35.204.BL	01	VAR - 390183, 390782, 330849 - REMOTE CONTROL VALVE, CONTROL LEVER
35.204.BL	02	VAR - 332844, 334121 - REMOTE CONTROL VALVE, CONTROL LEVER
35.204.BL	03	VAR - 334120, 331844, 334195, 334357 - REMOTE CONTROL VALVE, CONTROL LEVER
35.204.BS	01	VAR - 743919 - REMOTE VALVES
35.204.BS	02	VAR - 743919 - REMOTE VALVES - END YR 16-JUN-2014
35.204.BS	02A	VAR - 743919 - REMOTE VALVES - BEGIN YR 17-JUN-2014
35.204.BS	03	VAR - 743919 - REMOTE VALVES
35.204.BS	04	VAR - 743919 - JOYSTICK, BRACKET AND DECAL
35.204.BS	05	VAR - 743919 - REMOTE CONTROL
35.204.BS	06	VAR - 334127, 743919 - REMOTE VALVES

TABLE OF CONTENTS

35.204.BS	07	VAR - 743919 - REMOTE VALVES
35.204.BS	08	VAR - 334127 - REMOTE VALVES
35.204.BS	09	VAR - 743919 - REMOTE VALVES
35.204.BS	10	VAR - 334127 - REMOTE VALVES
35.204.BS	11	VAR - 334127 - MID MOUNT VALVE KIT - MECHANICAL - COMPONENTS
35.204.BS	12	DIRECTIONAL CONTROL VALVE - COMPONENTS
35.204.BS	13	VALVE SECTION - COMPONENTS
35.220.AG	01	VAR - 390434 - HYDRAULIC OIL FILTER
35.220.AG	02	VAR - 334119 - HYDRAULIC OIL FILTER, SUCTION PIPE
35.220.AG	02	VAR - 390434 - HYDRAULIC OIL FILTER, SUCTION PIPE
35.220.AG	03	VAR - 334119 - HYDRAULIC OIL FILTER / 80 L/MIN, HYDRAULIC PUMP
35.220.AG	05	VAR - 334119 - HYDRAULIC OIL FILTER - END YR 16-JUN-2014
35.220.AG	05A	VAR - 334119 - HYDRAULIC OIL FILTER - BEGIN YR 17-JUN-2014
35.300.AL		VAR 390434 - TRANSMISSION, COOLER LUBRIFICATION ,TUBE AND HOSES
35.300.AQ	01	VAR - 332844 - REMOTE CONTROL VALVE, RESERVOIR
35.300.AQ	02	VAR - 330849, 331849, 332844, 334120, 334121, 390183 - CONTROL VALVE, RESERVOIR
35.300.AQ	03	VAR - 331844, 334120 - REMOTE CONTROL VALVE, RESERVOIR
35.300.BQ		VAR - 390434 - HYDRAULIC TRANSMISSION CONTROL, ACCUMULATOR
37.000.00		SECTION INDEX - HITCHES, DRAWBARS AND IMPLEMENT COUPLINGS
37.100.AA		VAR - 334763 - DRAWBAR AND HITCH, DRAWBAR - ISO
37.100.AB	01	VAR - 333918, 334763, 335678 - DRAWBAR AND HITCH, DRAWBAR, SUPPORT
37.100.AB	02	VAR - 335678, 334814 - DRAWBAR AND HITCH, DRAWBAR, SUPPORT - NA
37.100.AB	03	VAR - 331918, 334763, 335678 - DRAWBAR AND HITCH, SUPPORT
37.100.AB	04	VAR - 332918, 334763, 335678 - DRAWBAR AND HITCH, DRAWBAR, SUPPORT
37.100.AF	01	VAR - 330893 - DRAWBAR AND HITCH, TOW HOOK - ISO
37.100.AF	02	VAR - 330893 - DRAWBAR AND HITCH, TOW HOOK - ISO
37.100.AF	03	VAR - 332209 - 332164 - DRAWBAR AND HITCH, TOW HOOK - ISO
37.100.AF	04	VAR - 332209 - DRAWBAR AND HITCH, TOW HOOK - ISO
37.100.AF	05	VAR - 330772 - DRAWBAR AND HITCH, TOW HOOK - ISO
37.100.AF	06	VAR - 330897 - DRAWBAR AND HITCH, TOW HOOK - ISO
37.100.AF	07	VAR - 330887 - DRAWBAR AND HITCH, TOW HOOK - ISO
37.100.AF	08	VAR - 335675 - DRAWBAR AND HITCH, TOW HOOK - ISO
37.100.AF	09	VAR - 335674 - DRAWBAR AND HITCH, TOW HOOK - ISO
37.106.AA	01	VAR - 331945 - AUTOMATIC PICK-UP HITCH, TOW HITCH
37.106.AA	02	VAR - 331945 - AUTOMATIC PICK-UP HITCH, LIFT ARM, TOW HOOK
37.106.AA	03	VAR- 331945 - TOW HOOK, COMPONENTS

TABLE OF CONTENTS

37.106.AA	04	VAR - 331945 - AUTOMATIC PICK-UP, TOW HOOK, COMPONENTS
37.106.AA	05	VAR - 331945 - AUTOMATIC PICK-UP, HANGER, COMPONENTS
37.106.AA	06	VAR - 331945 - AUTOMATIC PICK-UP HITCH, TOW HOOK, COMPONENTS
37.106.AA	07	VAR - 331943 - AUTOMATIC PICK-UP HITCH, SUPPORT & TOW HOOK
37.106.AA	08	VAR - 331943 - AUTOMATIC PICK-UP HITCH, LIFT ARM, TOW HOOK
37.106.AA	09	VAR - 331943 - TOW HOOK, COMPONENTS
37.106.AA	10	VAR - 331943 - AUTOMATIC PICK-UP, TOW HOOK, COMPONENTS
37.106.AA	11	VAR - 331943 - AUTOMATIC PICK-UP HITCH, LOCK, COMPONENTS
37.106.AB		VAR - 331945 - AUTOMATIC PICK-UP HITCH, HYDRAULIC LINE
37.106.AD		VAR - 331945 - AUTOMATIC PICK-UP, CYLINDER
37.106.AG	01	VAR - 331943 - CLUTCH, CONTROLS - ISO
37.106.AG	02	VAR - 330772 - CLUTCH, CONTROLS - ISO
37.106.AG	03	VAR - 330772 - COMPONENTS - ISO
37.106.AG	04	VAR - 331945 - CLUTCH, CONTROLS - ISO
37.106.AG	05	VAR - 330772 - COMPONENTS - ISO
37.110.AC	01	VAR - 390832, 743597, 744728 - HYDRAULIC LIFT, CASING, COVER
37.110.AC	02	VAR - 390832, 743597, 744728 - HYDRAULIC LIFT, CASING, COVER
37.110.AC	03	VAR - 330849, 331844, 332844 - ELECTRONIC LIFT, REAR, FLANGE
37.110.AC	04	VAR - 334120, 334121 - REAR ELECTRONIC LIFT - FLANGE
37.110.AE	01	VAR - 332953 - IMPLEMENT ATTACHMENT DEVICE - QUICK ATTACH LINKS - ISO
37.110.AE	02	VAR - 392953 - IMPLEMENT ATTACHMENT DEVICE - STANDARD LOWER LINKS - ISO
37.110.AE	03	VAR - 331920, 390435 - IMPLEMENT ATTACHMENT DEVICE - FLEX END LINKS
37.110.AE	04	VAR - 331920 - IMPLEMENT ATTACHMENT DEVICE - LIFT LINKS - ISO
37.110.AE	05	VAR - 330899 - CROSSMEMBER
37.110.AE	06	VAR - 332953 - TIE-ROD, COMPONENTS - ISO
37.110.AE	07	VAR - 332953 - QUICK-HITCH, REAR, COMPONENTS
37.110.AE	07	VAR - 332953 - QUICK-HITCH, REAR, COMPONENTS - ISO
37.110.AE	08	VAR - 331920 - QUICK-HITCH, REAR, COMPONENTS - ISO
37.110.AQ	01	VAR - 390832 - EDC INTERNAL RAM ONLY WITH / WITHOUT FPTO
37.110.AQ	02	VAR - 330335, 390335 - TOP LINK LESS AIR BRAKE
37.110.AQ	03	VAR - 390832, 743597, 744728 - LIFT SHAFTS AND ARMS
37.110.AQ	03	VAR - 743597 - REMOTE CONTROL VALVE, LIFT ARM
37.110.AQ	04	VAR - 390832, 743597, 744728 - LIFT SHAFTS AND ARMS
37.110.AQ	05	VAR - 330335, 390335 - TOP LINK LESS AIR BRAKE
37.110.AQ	07	VAR - 390832, 743597 - LIFTINTERNAL CYLINDER AND PISTON
37.120.AF		VAR - 331920, 332953, 390435, 392953 - IMPLEMENT ATTACHMENT DEVICE - STABILIZERS

TABLE OF CONTENTS

37.120.AV	01	VAR - 390435 - EDC PIN SUPPORT
37.120.AV	02	VAR - 332953, 392953 - EDC PIN SUPPORT
37.120.AY	01	VAR - 331920, 332953, 390435, 392953 - EDC PIN SUPPORT
37.120.AY	04	VAR - 330772, 330887, 330893, 330897, 330899, 331943 - 3 POINT HITCH, BOLT
37.120.AY	05	VAR - 331945, 332209, 335675, 332164, 390891 - 3 POINT HITCH, BOLT
37.162.AE	01	VAR - 744710 - FRONT, LOADER, BRACKET
37.162.AE	02	VAR - 331789, 390789 - FRONT LOADER - BRACKET
39.000.00		SECTION INDEX - FRAMES AND BALLASTING
39.140.AC	01	VAR - 331725 - WEIGHT CARRIER, MULTIPURPOSE
39.140.AC	02	VAR - 331722 - WEIGHT CARRIER, STANDARD
39.140.AC	03	VAR - 331758 - FRONT WEIGHT, W/ 2 WEIGHTS & HOOK
39.140.AC	04	VAR - 331759 - FRONT WEIGHT - W/ 6-10 WEIGHTS & HOOK
39.140.AC	05	VAR - 331726 - WEIGHT CARRIER, PLUGS
39.140.AF		VAR - 390243 - TOW HOOK, FRONT
39.140.AL	01	VAR - 330470 - REAR WHEEL BALLASTS
39.140.AL	02	VAR - 330471 - REAR WHEEL BALLASTS
41.000.00		SECTION INDEX - STEERING
41.101.AB	01	VAR - 334143, 334144, 334145, 335683, 335684, 390880 - GAS STRUT, STEERING COLUMN
41.101.AB	02	VAR - 334143, 334144, 334145, 335683, 335684, 390880 - GAS STRUT, STEERING COLUMN
41.101.AB	03	VAR - 334143, 334144, 334145, 335683, 335684, 390880 - STEERING COLUMN, ADJUSTING TOOL
41.106.AD		VAR - 390399, 330308, 330415 - STEERING TIE-ROD, 4WD FRONT AXLE
41.200.AA	01	VAR - 334143, 335683, 335684, 390880 - STEERING VALVE, HYDR LINES
41.200.AA	02	VAR - 334144, 334145 - STEERING VALVE, HYDR LINES
41.200.AL	01	VAR - 390434 - STEERING VALVE, FILTER & LINE
41.200.AL	02	VAR - 390434 - STEERING VALVE, FILTER, COMPONENTS
41.200.CA		VAR - 334143, 334144, 334145, 335683, 335684, 390880 - STEERING VALVE
41.216.AA	01	VAR - 390399, 330308, 330415 - STEERING CYLINDER, 4WD FRONT AXLE
41.216.AA	03	VAR - 390399, 330308, 330415 - STEERING CYLINDER, 4WD FRONT AXLE, COMPONENTS
41.216.AV	01	VAR - 334143, 335683, 335684, 390880 - STEERING LINE
41.216.AV	02	VAR - 334143, 334144, 334145, 335683, 335684, 390880 - STEERING CYLINDER, HYDR LINES
41.216.AV	03	VAR - 334144, 334145 - STEERING LINE
44.000.00	01	SECTION INDEX - WHEEL
44.000.00	02	SECTION INDEX - WHEEL
44.511.AE	01	VAR - 8290904 - WHEEL, FRONT (W9X18) - NA
44.511.AE	02	VAR - 8870801 - WHEEL, FRONT (W10X28)
44.511.AE	03	VAR - 8280501, 8282601, 8288601, 8836501, 8840501 - WHEEL, FRONT (W14X24)

TABLE OF CONTENTS

44.511.AE	04	VAR - 8844501, 8845501, 8870301 - WHEEL, FRONT (W14X24)
44.511.AE	05	VAR - 8848401 - WHEEL, FRONT (W16X22.5)
44.511.AE	06	VAR - 8201801 - WHEEL, FRONT (W10X28)
44.511.AE	07	VAR - 8247401, 8870901 - WHEEL, FRONT (W10X28)
44.511.AE	08	VAR - 8236701, 8242301, 8836301, 8840301, 8879401, 8880401 - WHEEL, FRONT (W12X24)
44.511.AE	09	VAR - 8840301, 8818401 - WHEEL, FRONT (W14X24)
44.520.AB	01	VAR - 8391904 - WHEEL, REAR (DWW16LX24)
44.520.AB	02	VAR - 8932401 - WHEEL, REAR (DWW20X30.5)
44.520.AB	03	VAR - 8307801, 8309501, 8370403, 8964501, 8970601 - WHEEL, REAR (DWW15LX34)
44.520.AB	04	VAR - 8376901, 8976501 - WHEEL, REAR (W15LX38)
44.520.AB	05	VAR - 8960301, 8966601 - WHEEL, REAR (W16LX34)
44.520.AB	06	VAR - 8982501 - WHEEL, REAR (W16LX38)
44.520.AB	07	VAR - 8959501 - WHEEL, REAR (DWW18X34)
44.520.AB	08	VAR - 8959501 - WHEEL, REAR (W11X38)
44.520.AB	09	VAR - 8364401, 8365401, 8916401, 8917401, 8964401 - WHEEL, REAR (W15LX34)
44.520.AB	10	VAR - 8960401, 8966401 - WHEEL, REAR (W15X34)
44.520.AB	11	VAR - 8959401 - WHEEL, REAR (W18LX34)
44.520.AB	12	VAR - 8353401, 8372401 - WHEEL, REAR (W12X38)
44.520.AB	13	VAR - 8376701, 8976601 - WHEEL, REAR (DWW15LX38)
44.520.AB	14	VAR - 8982601 - WHEEL, REAR (DWW16LX38)
50.000.00		SECTION INDEX - CAB CLIMATE CONTROL
50.100.AC	01	VAR - 334143, 334144, 334145, 335683, 335684, 390880 - HEATING SYSTEM, HYDR LINES
50.100.AC	02	VAR - 334143, 334144, 334145, 335683, 335684, 390880 - HEATING SYSTEM, HYDR LINES
50.100.AC	03	VAR - 334144, 334145 - HEATING SYSTEM, HYDR LINES
50.100.AP	01	VAR - 390641, 744716 - AIR CONDITIONER
50.100.AP	02	VAR - 390461, 744716 - AIR CONDITIONER
50.100.AP	03	VAR - 390641 - HEATER, COMPONENTS
50.100.AP	04	VAR - 390641, 744716 - HEATER, COMPONENTS
50.100.AP	05	VAR - 390461, 744716 - AIR CONDITIONER
50.100.AP	06	VAR - 390641, 744716 - HEATER, COMPONENTS
50.104.AO	01	VAR - 390641, 744716 - HEATER SYSTEM DUCT LH
50.104.AO	02	VAR - 390641, 744716 - HEATER SYSTEM DUCT RH
50.104.AO	03	VAR - 390461, 744716 - HEATER SYSTEM DUCT LH
50.104.AO	04	VAR - 390461, 744716 - HEATER SYSTEM DUCT RH
50.104.AQ	01	VAR - 390641, 744716 - HEATER SYSTEM AIR FILTER
50.104.AQ	02	VAR - 390461, 744716 - HEATER SYSTEM AIR FILTER

TABLE OF CONTENTS

50.200.AA		VAR - 390461, 744716 - AIR CONDITIONING - COMPRESSOR
50.200.AB	01	VAR - 744716 - AIR CONDITIONING, PIPE
50.200.AB	02	VAR - 390461 - AIR CONDITIONING, PIPE - ISO
50.200.AK	01	VAR - 390461, 744716 - AIR CONDITIONING - CONDENSER - FRONT
50.200.AK	02	VAR - 331789, 390789 - AIR CONDITIONING - CONDENSER - BAFFLE
50.200.AT		VAR - 390335 - A/C SUPPORT AND BELT
55.000.00	01	SECTION INDEX - ELECTRICAL SYSTEMS
55.000.00	02	SECTION INDEX - ELECTRICAL SYSTEMS
55.000.00	03	SECTION INDEX - ELECTRICAL SYSTEMS
55.000.00	04	SECTION INDEX - ELECTRICAL SYSTEMS
55.000.AA	01	VAR - 334143, 334144, 334145, 335683, 335684, 390880 - REACTIVITY, SWITCH
55.000.AA	02	VAR - 334143, 334144, 334145, 335683, 335684, 390880 - SIDE/LOW BEAM LIGHTS, SWITCH
55.000.AA	03	VAR - 334143, 334144, 334145, 335683, 335684, 390880 - HTS, SWITCH
55.011.AC		VAR - 330142, 390142 - FUEL TANK, SENDER UNIT
55.014.AE	01	VAR - 332229, 390174 - ENGINE, SENSOR
55.014.AE	02	VAR - 330200, 390200 - ENGINE, SENSOR
55.015.AA		VAR - 332229, 390174 - ENGINE, ELECTRONIC CONTROL UNIT
55.020.AB	01	VAR - 330798- ELECTRICAL SYSTEM CABLES
55.020.AB	02	VAR - 390798 - FUSE BOX
55.020.AB	03	VAR - 334114, 334115, 334117, 390430 - PRESSURE SWITCH, SENSOR, ELECTRIC SYSTEM CONTROL
55.020.AB	04	VAR - 331286 - 393286 - PARKING BRAKES - MECHANICAL PARKING LOCK
55.020.AB	05	VAR - 330798 - ELECTRIC SYSTEM CONTROL
55.020.AB	06	VAR - 390798 - ELECTRICAL SYSTEM CABLES, W/O ELECTRONIC BATTERY ISOLATOR
55.024.AA	01	VAR - 391222 - MAIN HARNESS
55.024.AA	02	VAR - 391222 - MAIN HARNESS
55.024.AE		VAR - 390430, 334114, 334115, 334117 - TRANSMISSION, ELECTRONIC CONTROL UNIT
55.031.AF		VAR - 334143, 334144, 334145, 335683, 335684, 390880 - PARKING BRAKE, SWITCH
55.032.AC		VAR - 743517 - TRAILER, BRAKES, ITA EXTENSION
55.046.AJ		VAR - 334143, 334144, 334145, 335683, 335684, 390880 - SWITCH, ROCKER
55.048.AD	01	VAR - 391803 - REAR FENDER, PLUGS
55.048.AD	02	VAR - 330803 - REAR FENDER - PTO SWITCH
55.048.AL		VAR - 331819 - PTO 540-540E-1000 RPM W/ GROUND SPEED - SWITCH - ISO
55.050.AA	01	VAR - 744716 - AIR CONDITIONING, PRESSURE SWITCH
55.050.AA	02	VAR - 390461 - AIR CONDITIONING, PRESSURE SWITCH - ISO
55.050.AK	01	VAR - 390641, 744716 - AIR CONDITIONING WITH ATC, MOTOR
55.050.AK	02	VAR - 390461, 744716 - AIR CONDITIONING WITH ATC, MOTOR

TABLE OF CONTENTS

55.050.AR	01	VAR - 390641, 744716 - HEATING SYSTEM, BLOWER, MOTOR
55.050.AR	02	VAR - 390641, 744716 - HEATING SYSTEM, BLOWER, MOTOR
55.050.AS	01	VAR - 390641, 744716 - HEATER SYSTEM, BLOWER
55.050.AS	02	VAR - 390641, 744716 - HEATER SYSTEM, BLOWER, COMPONENTS
55.050.AS	03	VAR - 390641, 744716 - HEATER SYSTEM, BLOWER
55.050.AS	04	VAR - 390641, 744716 - HEATER SYSTEM, BLOWER, COMPONENTS
55.050.AT	01	VAR - 390641, 744716 - AIR CONDITIONER, SENSOR
55.050.AY		VAR - 334114, 334115, 334117, 390430 - BLOWER, WIRE HARNESS
55.051.AA	01	VAR - 330641, 331641, 390461 - AIR CONDITIONING, PRESSURE SWITCH
55.051.AA	02	VAR - 390641, 744716 - AIR CONDITIONING, PRESSURE SWITCH
55.051.AB	01	VAR - 390641, 744716 - AIR CONDITIONING, CONTROL PANEL
55.051.AB	02	VAR - 390641, 744716 - AIR CONDITIONING, CONTROL PANEL
55.100.AF		VAR - 332844, 743517 - CAB, HARNESS, RELAY
55.100.AI	01	VAR - 334114, 334115, 334117, 390430 - MAIN HARNESS
55.100.AI	02	VAR - 334114, 334115, 334117, 390430 - MAIN HARNESS, CABLE CLIP, BRACKET
55.100.AX		VAR - 744713 - WIRE HARNESS, FRONT
55.100.BE		VAR - 390430, 334114, 334115, 334117 - GROUND CABLE
55.100.DO		VAR - 334114, 334115, 334117, 390430 - FUSE BOX, FUSE HOLDER, RELAY, CAB
55.100.DP		VAR - 332844 - REMOTE CONTROL VALVE, HARNESS - W/ DIVERTER
55.130.AT		VAR - 390911 - 3 POINT HITCH, POTENTIOMETER, POSITION
55.160.AH	01	VAR - 330335, 331335, 332739 - WIRE, SENSOR, TRAILER BRAKE - ISO
55.160.AH	02	VAR - 330335, 331335, 332739 - WIRE, SENSOR, TRAILER BRAKE - ISO
55.160.AH	03	VAR - 331286 - SWITCH BUTTON, TRAILER BRAKE - ISO
55.160.AH	04	VAR - 331789, 744710 - FRONT, LOADER, COVER
55.201.AE		VAR - 332229, 390174 - STARTER MOTOR
55.201.AH	01	VAR - 334143, 334144, 334145, 335683, 335684, 390880 - IGNITION SWITCH, IGNITION KEY
55.201.AH	02	VAR - 334143, 334144, 334145, 335683, 335684, 390880 - IGNITION KEY, UNBRANDED
55.201.AU		VAR - 390798 - HARNESS, STARTER MOTOR, PDU
55.202.AD		VAR - 332229, 390174 - GLOW PLUG, CONTROL UNIT
55.202.AE	01	VAR - 331716 - ENGINE - HEATING ELEMENT - ISO
55.202.AE	02	VAR - 334910, 744982 - COLD START SYSTEM, BLOCK HEATER (120V), NA
55.202.AE	03	VAR - 331715 - ENGINE - HEATING ELEMENT - NA
55.301.AA		VAR - 391192 - ALTERNATOR
55.301.AB		VAR - 391192 - ALTERNATOR, SUPPORT
55.302.AG		VAR - 391741 - BATTERY
55.302.AI	01	VAR - 390642, 390904, 334149, 334150, 335687, 335701, 390884, 390885 - PLUG, BATTERY

TABLE OF CONTENTS

55.302.AI	02	VAR - 330798 - ELECTRONIC BATTERY ISOLATOR SWITCH
55.302.AI	03	VAR - 334127 - MASTER SWITCH
55.302.AK	01	VAR - 334127 - BATTERY SUPPORT
55.302.AV	01	VAR - 390798 - CABLE, BATTERY
55.302.AV	02	VAR - 330798 - POWERHARNESS W/ BDS AND BATTERY ON THE RIGHT SIDE
55.302.AV	03	VAR - 390124, 743919 - BATTERY SUPPORT
55.404.AC	01	VAR - 334916, 335702 - 1 ROTARY BEACON, SUPPORT - END YR 02-JUL-2015
55.404.AC	01A	VAR - 334916, 335702 - 1 ROTARY BEACON, SUPPORT - BEGIN YR 03-JUL-2015
55.404.AC	02	VAR - 334916, 335702, 335916 - BEACON, LAMP
55.404.AC	03	VAR - 335916 - 2 ROTARY BEACON, SUPPORT - END YR 02-JUL-2015
55.404.AC	03A	VAR - 335916 - 2 ROTARY BEACON, SUPPORT - BEGIN YR 03-JUL-2015
55.404.AL	01	VAR - 334149, 334151, 335699, 390884 - HEADLAMP - ISO
55.404.AL	02	VAR - 335701, 390885 - HEADLAMP - NA
55.404.AL	03	VAR - 334150, 334152, 335687 - HEADLAMP - ISO
55.404.AQ	01	VAR - 334151, 335699 - HEADLIGHT, ROOF-MOUNTED - ISO
55.404.AQ	02	VAR - 332325, 334152 - HEADLIGHT, ROOF-MOUNTED - ISO
55.404.AS	02	VAR - 332325, 334149, 334150, 334151, 334152, 335687, 335699, 390884 - LIGHTING NH ISO - END YR 25-JUN-2013
55.404.AS	02A	VAR - 332325, 334149, 334150, 334151, 334152, 335687, 335699, 390884 - LIGHTING NH ISO - BEGIN YR 26-JUN-2013
55.404.AS	03	VAR - 335701, 390885 - LIGHTING NASO NA
55.404.BA	01	VAR - 390882 - LICENSE PLATE LIGHT, ROOF-MOUNTED - ISO
55.404.BA	02	VAR - 332011, 332958 - LICENSE PLATE LIGHT, FENDER-MOUNTED - ISO
55.404.BH	01	VAR - 390832, 743597, 744728 - REFLECTOR - ISO
55.404.BH	02	VAR - 390832, 743597, 744728 - REFLECTOR - ISO
55.404.BH	03	VAR - 335701, 390885, 390500 - REFLECTOR - NA
55.404.BH	04	VAR - 390886 - REFLECTOR - ISO
55.404.BH	05	VAR - 330960 - SLOW MOVING VEHICLE EMBLEM
55.404.BH	06	VAR - 331960 - ELECTRICAL SYSTEM REFLECTOR - ISO
55.404.BM	01	VAR - 332325, 334149, 334150, 334151 - REAR LIGHT, FENDER-MOUNTED, INTERIOR LIGHT - ISO
55.404.BM	02	VAR - 334152, 335687, 335699, 390884 - LIGHTING NH - ISO
55.404.BM	03	VAR - 335701, 390885 - LIGHTING NH - NA
55.404.BS	01	VAR - 334149, 334150, 335687, 335701, 390884 - WORK LIGHT, ROOF-MOUNTED
55.404.BS	02	VAR - 334149, 334150, 334151, 334152 - WORK LIGHT, ROOF-MOUNTED - ISO
55.404.BS	03	VAR - 334151, 334152 - WORK LIGHT, ROOF-MOUNTED - ISO
55.404.BS	04	VAR - 332325, 334151, 334152, 335699 - WORK LIGHT, FRONT - ISO - END YR 25-JUN-2013
55.404.BS	04A	VAR - 332325, 334151, 334152, 335699 - WORK LIGHT, FRONT - ISO - BEGIN YR 26-JUN-2013
55.404.DB	01	VAR - 334143, 334144, 334145, 335683, 335684, 390880 - FLASHER UNIT - ISO

TABLE OF CONTENTS

55.404.DB	02	VAR - 334143, 334144, 334145, 335683, 335684, 390880 - FLASHER UNIT - NA
55.405.AV		VAR - 332325, 334151, 334152, 335699, 744713 - HEADLIGHT, SWITCH
55.405.BP		VAR - 334143, 334144, 334145, 335683, 335684, 390880 - LIGHT SWITCH
55.405.CF		VAR - 334143, 334144, 334145, 335683, 335684, 390880 - FLASHER SWITCH
55.408.AG	01	VAR - 390886 - HORN - ISO
55.408.AG	02	VAR - 390887 - HORN - NA
55.408.CA	01	VAR - 390430, 334117 - INSTRUMENT CLUSTER
55.408.CA	02	VAR - 334114, 334115 - INSTRUMENT CLUSTER
55.510.AH	01	VAR - 334143, 334144, 334145, 335683, 335684, 390880 - HARNESS, ROOF - ISO
55.510.AH	02	VAR - 334143, 334144, 334145, 335683, 335684, 390880 - HARNESS, ROOF - NA
55.510.BM	01	VAR - 390887 - CONNECTING BLOCK, REAR - NA
55.510.BM	02	VAR - 334143, 334144, 334145, 335683, 335684, 390880 - AUXILIARY POWER OUTLET, CAB
55.510.BM	03	VAR - 390886 - POWER SOCKET, INSIDE (25A) - ISO
55.510.BM	04	VAR - 334143, 334144, 334145, 335683, 335684, 390880 - HARNESS, CONNECTOR - NA
55.510.BM	05	VAR - 390886 - POWER SOCKET, OUTSIDE - ISO
55.510.BM	06	VAR - 744712 - LOADER, EXTENSION, FRONT - ISO
55.511.AB	01	VAR - 334149, 334150, 335687, 335701, 390884 - HARNESS, CONNECTOR
55.511.AB	02	VAR - 334151, 334152, 335699 - HARNESS, CONNECTOR - ISO
55.511.AF	01	VAR - 332325, 334149, 334150, 334151, 334152, 335687, 335699, 390884 - HEADLAMP - ISO
55.511.AF	02	VAR - 335701, 390885 - HEADLAMP - NA
55.512.AA		VAR - 333367 - RADIO WITH SPEAKERS
55.512.AA		VAR - 333367, 333777 - RADIO WITH SPEAKERS
55.512.AD		VAR - 334143, 334144, 334145, 335683, 335684, 390880 - CIGARETTE LIGHTER, CAB
55.512.BY	01	VAR - 334143, 334144, 334145, 335683, 335684, 390880 - INSTRUMENT PANEL, SWITCH
55.512.BY	02	VAR - 334143, 334144, 334145, 335683, 335684, 390880 - TOGGLE SWITCH, SHUTTLE CONTROL
55.512.CL	01	VAR - 332782 - JOYSTICK MOUNTING
55.512.CL	02	VAR - 334127 - ELECTRONIC JOYSTICK NH
55.512.CL	03	VAR - 334127 - ELECTRONIC JOYSTICK NH, COMPONENTS
55.513.AE	01	VAR - 334114, 334115, 334117 - CREEPER SWITCH, ROCKER
55.513.AE	02	VAR - 390430 - PLUG LESS CREEPER SWITCH
55.513.AE	03	VAR - 330160 - BRAKE, PTO, ROCKER, SWITCH
55.513.AE	04	VAR - 390160 - BRAKE, PTO, ROCKER, SWITCH
55.513.AE	05	VAR - 330465 - CRPM, ROCKER, SWITCH
55.513.AE	06	VAR - 390465 - PLUG, CREEPER SWITCH
55.518.AH	01	VAR - 330642 - REAR WINDOW WIPER ARM BLADE
55.518.AI		VAR - 330642 - WINDOW, WIPER MOTOR

**Thanks very much for your reading,
Want to get more information,
Please click here, Then get the complete
manual**

JustClickHere 

NOTE:

**If there is no response to click on the link above,
please download the PDF document first, and then
click on it.**

**Have any questions please write to me:
admin@servicemanualperfect.com**